

BZ-R-A2

M

DRAWING
 NUMBER

ISSUE
 X 5
 X 8
 X 8

REPLACES

RELEASE NO.

CHECK

REVISIONS

A	CO 15200
	JPH 3 FEB 64
B	CO23648
	OND 22 JAN 68
C	CO34162
	D B W 2 JUL 78
D	CO- 73287-J
	JAL 22 NOV 83
E	CO 77589
	JAL 30 MAR 84

CHECK

5 FEB 64

5 FEB 64

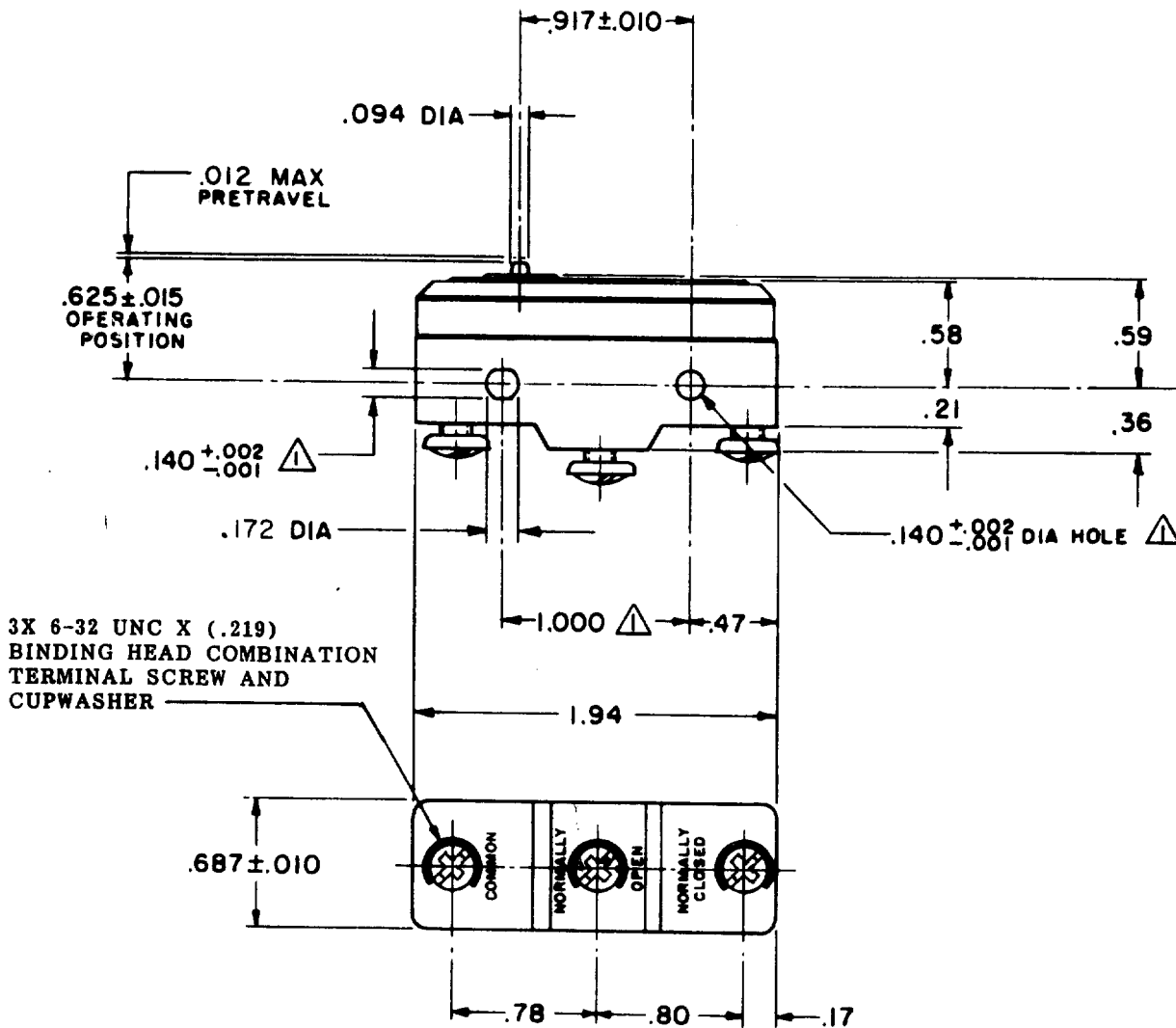
5 FEB 64

5 FEB 64

5 FEB 64

5 FEB 64

5 FEB 64



NOTE -
 ▲ - MOUNTING HOLES WILL ACCEPT PINS OR SCREWS
 OF $.139$ MAX DIA ON $1.000 \pm .002$ CENTERS

THIS DRAWING COVERS A PROPRIETARY ITEM AND IS THE PROPERTY OF MICRO SWITCH, A DIVISION OF MINNEAPOLIS-HONEYWELL REGULATOR CO. THIS DRAWING IS NOT TO BE COPIED OR USED WITHOUT THE APPROVAL OF MICRO SWITCH.

CHARACTERISTICS

OPERATING FORCE-----7-9 OZ
 RELEASE FORCE-----4 OZ. MIN
 DIFFERENTIAL TRAVEL---.00020-.00035
 OVERTRAVEL-----.005 MIN

ELECTRICAL DATA

CONTACT ARRANGEMENT
 S. P. D. T.
 UNDERWRITERS' LAB. INC. LISTED RATING
 -L103- 15 A-125, 250 OR 400 VAC
 1/8 HP-125 VAC; 1/4 HP-250 VAC



SCALE FULL

DO NOT SCALE PRINT
 UNLESS OTHERWISE NOTED
 DIMENSIONS ARE IN INCHES
TOLERANCES ARE:
 ONE PLACE (.0) $\pm .030$
 TWO PLACE (.00) $\pm .015$
 THREE PLACE (.000) $\pm .005$
 ANGLES \pm
 WEIGHT .060 LB